

## AC/DC Open Loop Split Core Transducer SCT Series

The new SCT Series of split core current transducers use Open Loop Hall Effect technology for accurate measurement of both AC and DC currents. The unique snap closed design allows easy connection around conductors making it ideal for retrofitting.



SPECIFICATION		
MODEL	UC 500A/10V	UC 1000A/10V
Measuring Range	500A DC or AC <sub>PEAK</sub>	1000A DC or AC <sub>PEAK</sub>
Output Sensitivity	20mV/A (w.r.t. 0V)	10mV/A (w.r.t. 0V)
Output Zero Offset	± 10mV	
Basic Accuracy	± 1% of reading ± 0.5A	
Conductor Position Sensitivity	± 1% relative to centre reading	
Resolution	± 100mA	
Load Impedance	> 10kΩ and ≤ 100 pF	
Frequency Range	DC to 10kHz (-3dB), I <sub>RMS</sub> × f ≤ 400,000	
Temperature Coefficient	± 0.1% of reading per °C	
Zero Drift with Temperature	10mV per °C Typical	5mV per °C Typical
Power Supply	± 15V ± 10%, external	
Current Consumption	20mA Max	
Working Voltage	300V	
Maximum Conductor Size	25mm	
Output Connection	via 5 pin connector, Phoenix Contact MC 1,5/5-G-3,81	
Output Zero	Intended for external zero correction	
Operating Temperature Range	-20 to +65°C	
Storage Temperature Range	20 to +85°C	
Ingress Protection (Jaw closed)	IP 40	
Protection against mechanical impact (IEC 62262)	IK06	

All Accuracies Stated at: 23°C ± 1°C

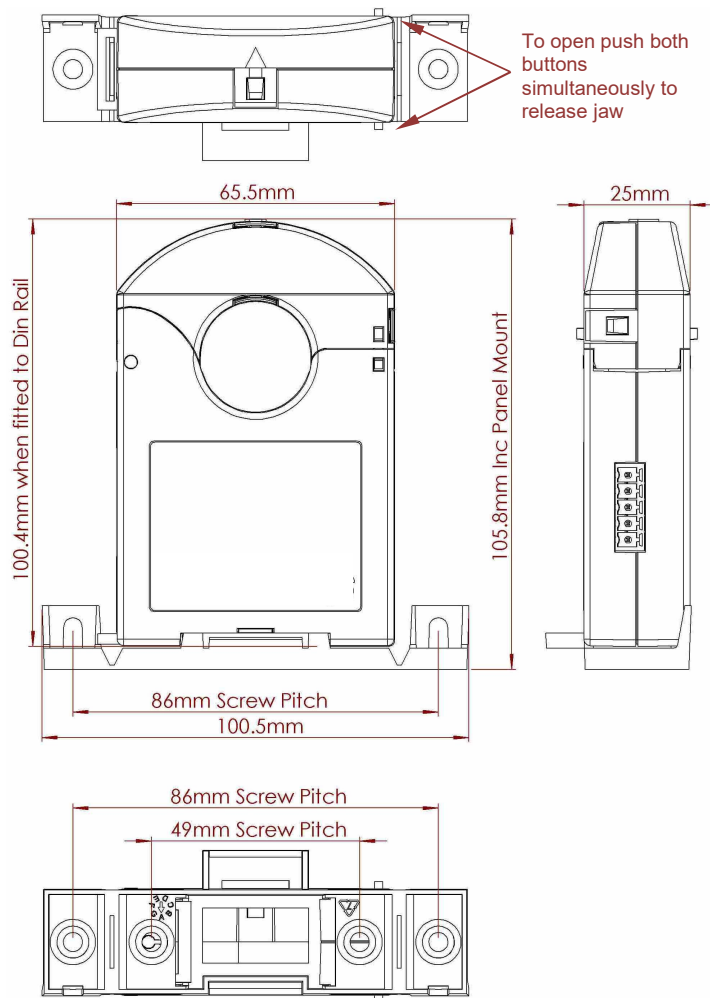
## Safety Standards

EN 61010-1  
EN 61010-2-032

300V RMS Measurement Category III  
Pollution Degree 2

## EMC Standard

EN 61326-1, For use in industrial locations



PIN No	Function
1	+ 15 V
2	0 V
3	- 15 V
4	Output +
5	Output -